



QUALITY FOOD SERVICE EQUIPMENT

SPECIFICATION SHEET

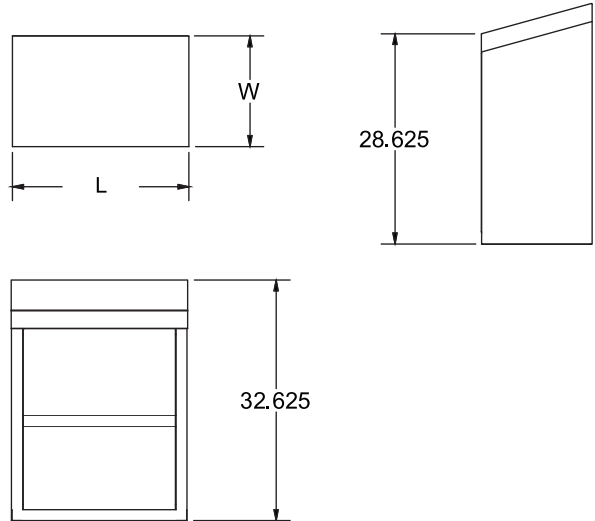
Model #:	_____	Qty:	_____
Project #:	_____		
Consultant:	_____		

WALL CABINET



DIMENSIONS

open front



MATERIAL

- ◆ 18GA 304 stainless steel fabricated

FEATURES

- ◆ Easy mount to wall
- ◆ One fully adjustable shelf

Model#	Length	Width
WCO-1524	24"	15"
WCO-1530	30"	15"
WCO-1536	36"	15"
WCO-1548	48"	15"

(609) 642-8389 | sales@nbrequipment.com | www.nbrequipment.com